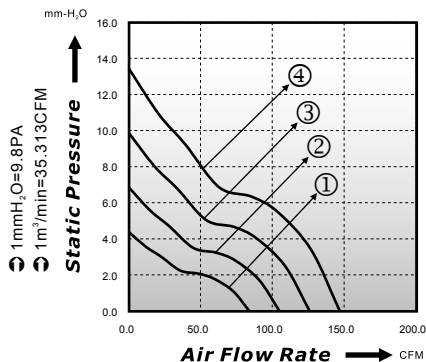


120x120x32mm

Model C

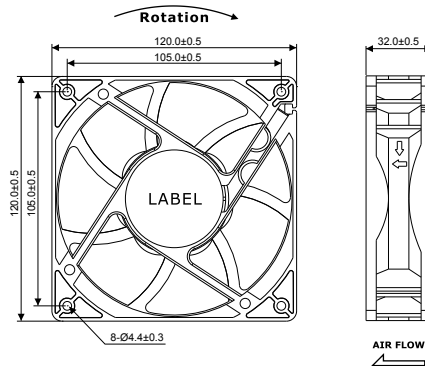


P-Q Curve (At Rated Voltage)



Dimensions Drawing

Unit: (mm)



| Model No | Bearing (*) | Rated Voltage (VDC) | Rated Current (A) | Power Consumption (Watts) | Speed (rpm) | Air Flow (CFM) | Static Pressure (mmH ₂ O) | Noise (dBA) | Curve |
|---------------|-------------|---------------------|-------------------|---------------------------|-------------|----------------|--------------------------------------|-------------|-------|
| ED12032-12LB | ● | 12 | 0.40 | 4.80 | 2000 | 84 | 4.39 | 35.0 | 1 |
| ED12032-12MB | ● | 12 | 0.80 | 9.60 | 2500 | 105 | 6.86 | 42.0 | 2 |
| ED12032-12HB | ● | 12 | 1.20 | 14.40 | 3000 | 126 | 9.88 | 48.0 | 3 |
| ED12032-12HHB | ● | 12 | 1.50 | 18.00 | 3500 | 147 | 13.45 | 52.0 | 4 |
| ED12032-24LB | ● | 24 | 0.25 | 6.00 | 2000 | 84 | 4.39 | 35.0 | 1 |
| ED12032-24MB | ● | 24 | 0.35 | 8.40 | 2500 | 105 | 6.86 | 42.0 | 2 |
| ED12032-24HB | ● | 24 | 0.45 | 10.80 | 3000 | 126 | 9.88 | 48.0 | 3 |
| ED12032-24HHB | ● | 24 | 0.55 | 13.20 | 3500 | 147 | 13.45 | 52.0 | 4 |
| ED12032-48LB | ● | 48 | 0.15 | 7.20 | 2000 | 84 | 4.39 | 35.0 | 1 |
| ED12032-48MB | ● | 48 | 0.20 | 9.60 | 2500 | 105 | 6.86 | 42.0 | 2 |
| ED12032-48HB | ● | 48 | 0.25 | 12.00 | 3000 | 126 | 9.88 | 48.0 | 3 |
| ED12032-48HHB | ● | 48 | 0.30 | 14.40 | 3500 | 147 | 13.45 | 52.0 | 4 |

* Bearing Type: ○ Sleeve ● Two Ball ⊖ Hydro-Dynamic